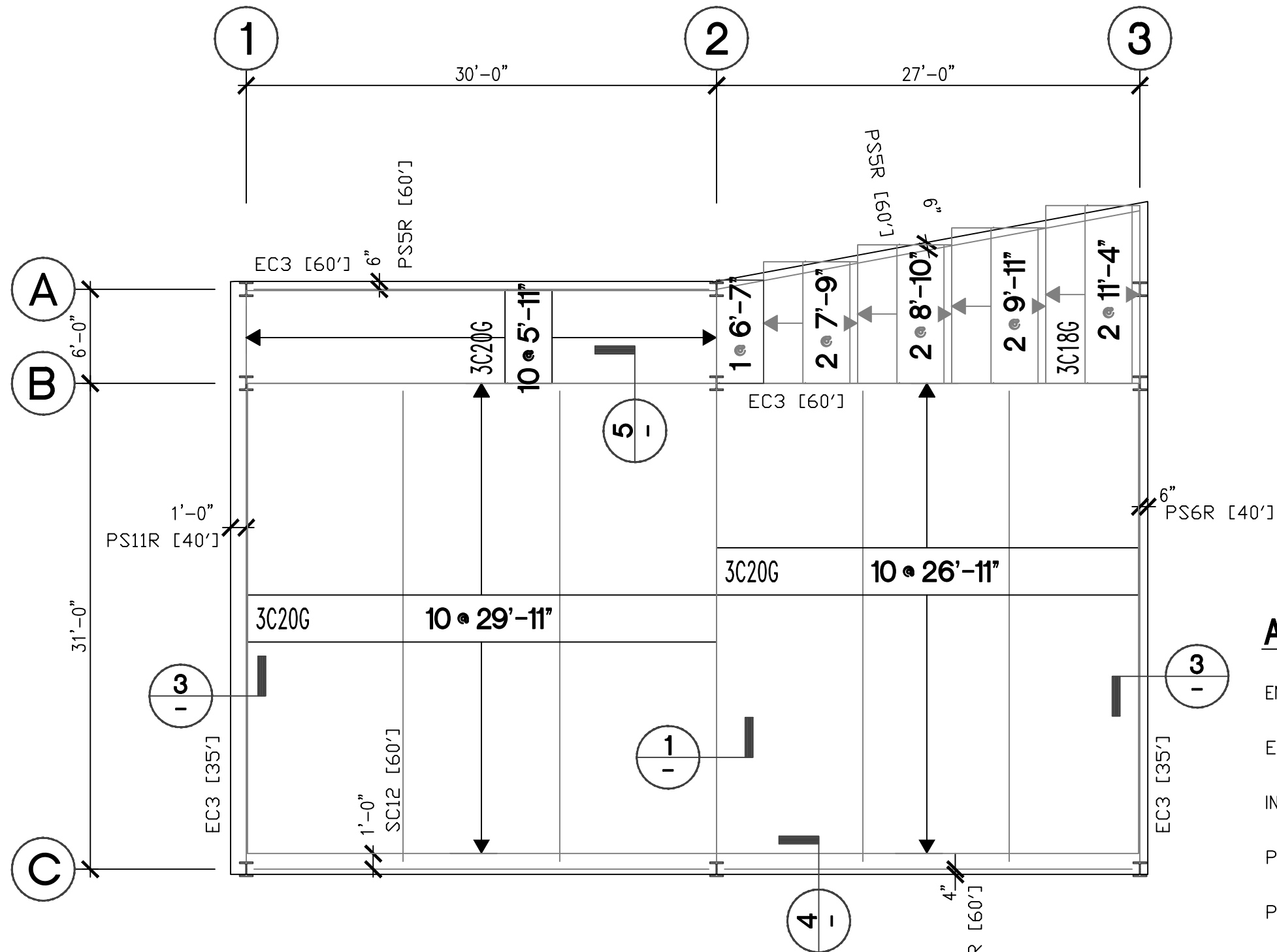


3" COMPOSITE FLOOR DECK TEMPLATE



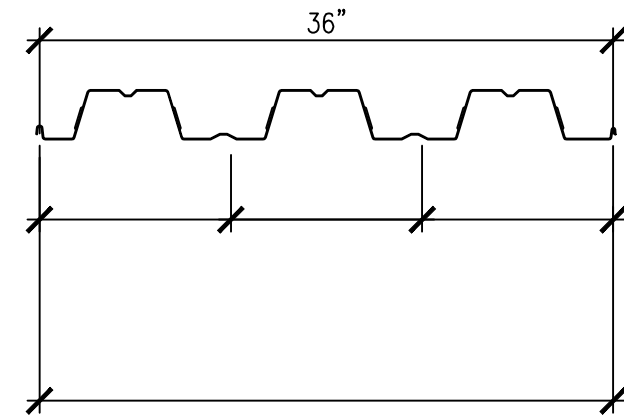
FLOOR DECK PLAN

SCALE: 1/8" = 1'-0"

3C18G MATERIAL: 3" COMPOSITE 18 GAGE GALVANIZED G60 FLOOR DECK 36" COVER WIDTH

3C20G MATERIAL: 3" COMPOSITE 20 GAGE GALVANIZED G60 FLOOR DECK 36" COVER WIDTH

6.25" NORMAL WEIGHT CONCRETE SLAB
TOP OF STEEL ELEVATION: XX'-X"



ATTACHMENT SPACING/METHOD BY PROJECT

DECK / SUPPORTS
ATTACH DECK TO ALL INTERIOR SUPPORTS W / XX USING A XX PATTERN

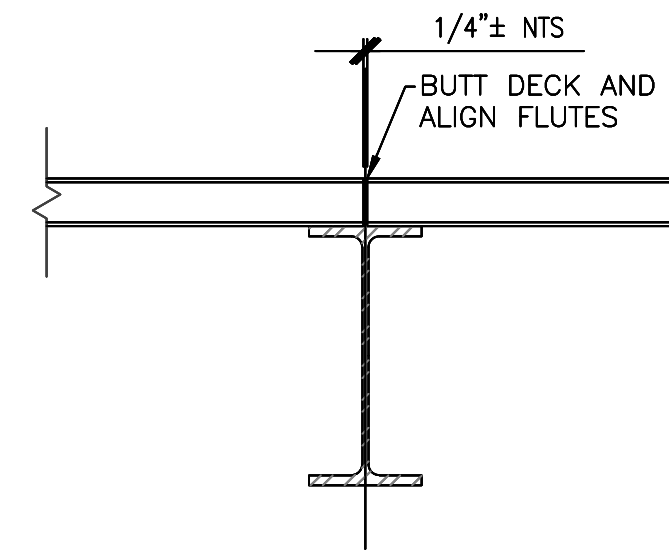
DECK / DECK
ATTACH WITH XX BETWEEN SUPPORTS @ XX" O.C. MAX.

D# 3" COMPOSITE (36" C.W.)

S# SCALE: 1" = 1'-0"

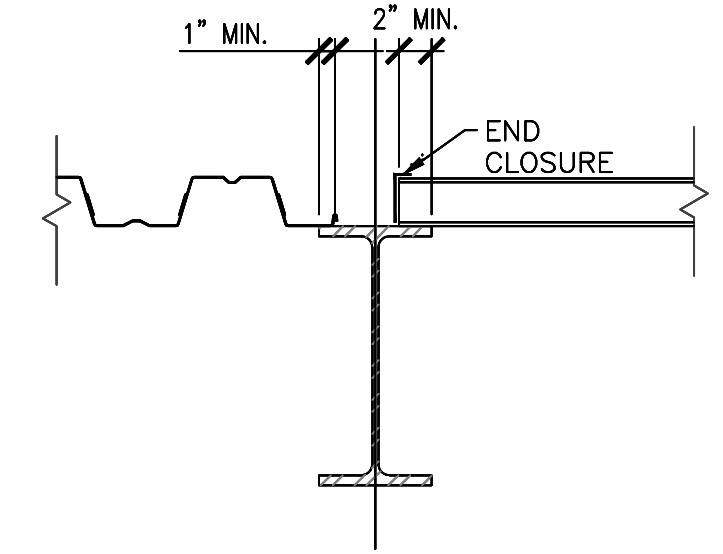
ACCESSORIES:

END CLOSURES			
EC3	3" x 1"	200 L.F.	20GA.
INTERIOR POUR STOPS			
PS4R	6 1/4" x 4"	60 L.F.	16GA.
PS5R	6 1/4" x 5"	120 L.F.	16GA.
PS6R	6 1/4" x 6"	40 L.F.	14GA.
PS11R	6 1/4" x 11"	40 L.F.	12GA.
SIDE CLOSURES			
SC12	1" x 12"	60 L.F.	14GA.



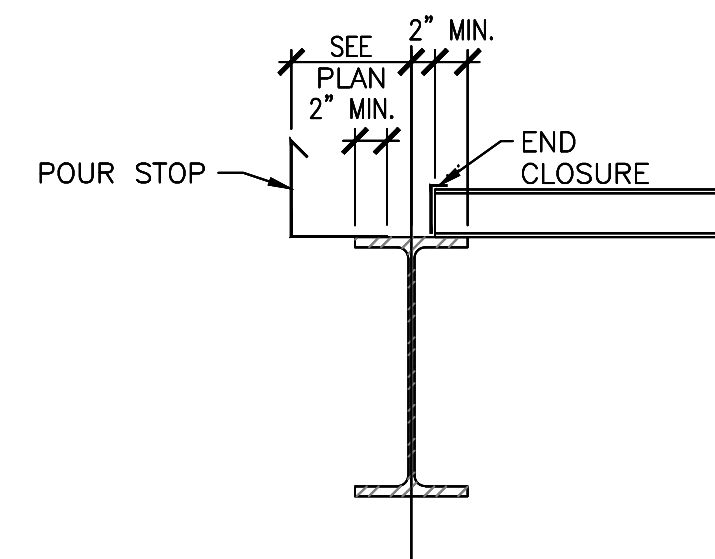
1 SECTION

SCALE: 1" = 1'-0"



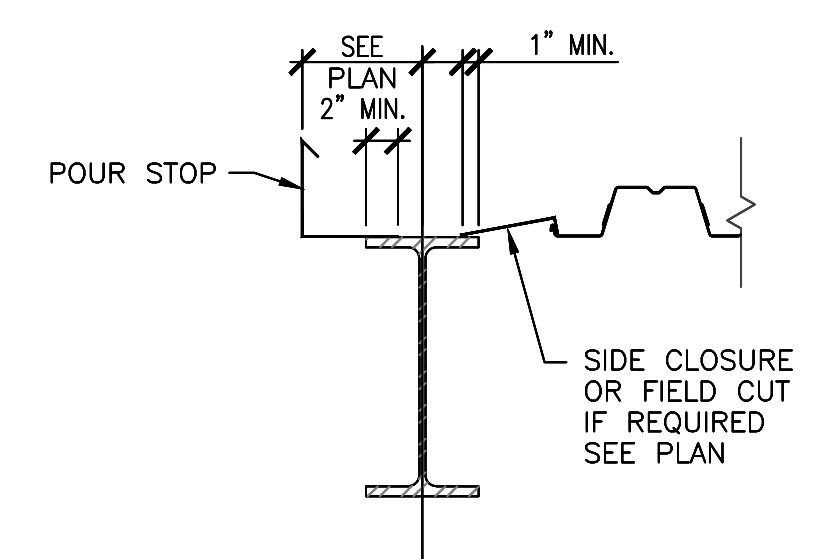
2 SECTION

SCALE: 1" = 1'-0"



3 SECTION

SCALE: 1" = 1'-0"

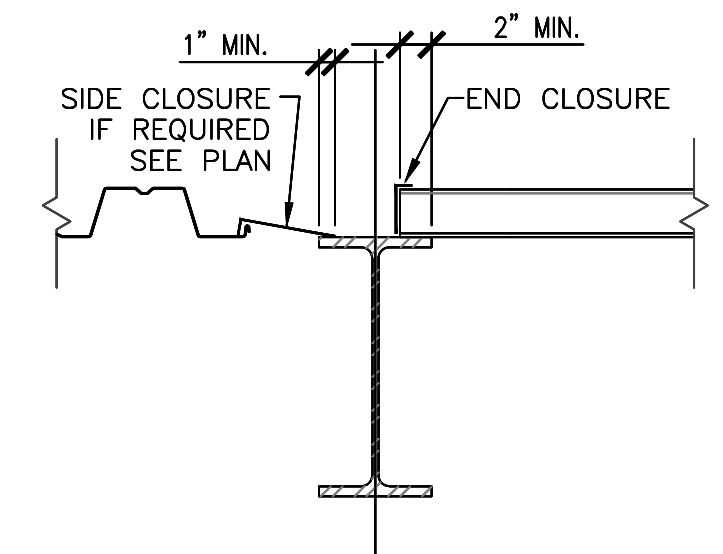


4 SECTION

SCALE: 1" = 1'-0"

ABBREVIATIONS:

B.P.	BENT PLATE
B.O.	BY OTHERS
B.S.C.	BY STEEL CONTRACTOR
E.O.D.	EDGE OF DECK
F.B.O.	FORMED BY OTHERS
F.C.	FIELD CUT
F.W.C.	FILL WITH CUTOFF
SIM.	SIMILAR
TYP.	TYPICAL
U.N.O.	UNLESS NOTED OTHERWISE
V.L.	VERTICAL LEG
P.S.	POUR STOP
MIN.	MINIMUM



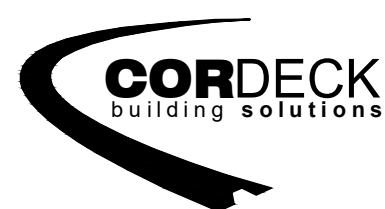
5 SECTION

SCALE: 1" = 1'-0"

FOR APPROVAL ONLY

THIS PRINT IS NOT FOR CONSTRUCTION PURPOSES

APPROVER:
PLEASE PROVIDE ALL CLOUDED VERIFICATIONS, DIMENSIONS AND SECTIONS INDICATED BY THE REQUEST "SUPPLY" AND/OR "VERIFY". PROMPT FABRICATION DEPENDS ON COMPLETE INFORMATION. PLEASE CALL FOR CLARIFICATION OF ANY UNCLEAR REQUESTS.



CORDECK BUILDING SOLUTIONS
12620 WILMOT ROAD
KENOSHA, WI, 53142
(262)-857-3000

REVISIONS:

DATE	DESCRIPTION

FLOOR DECK PLAN
PROJECT NAME
PROJECT LOCATION

DRAWN
CHECKED
DATE
JOB NO.

SHEET

S#