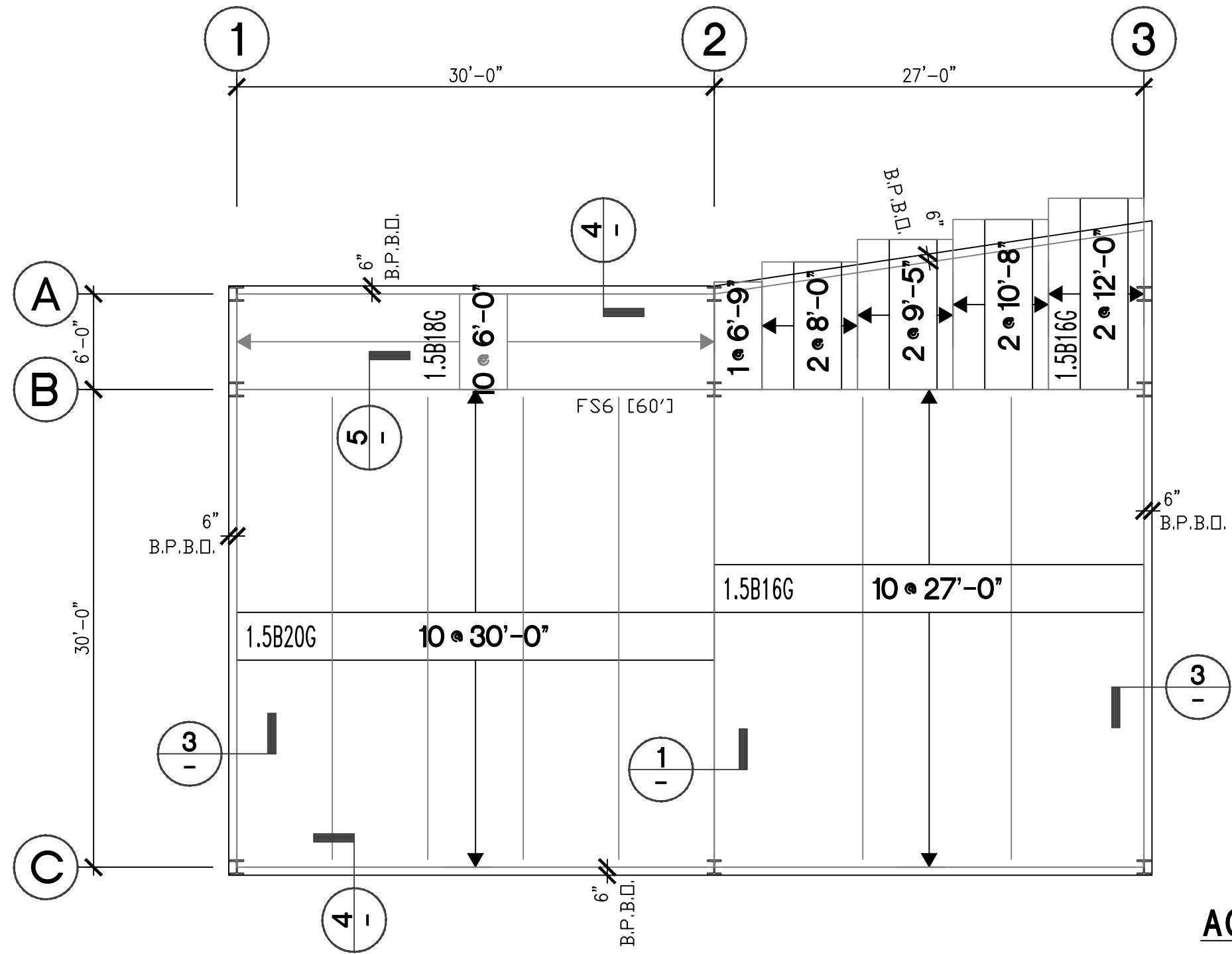


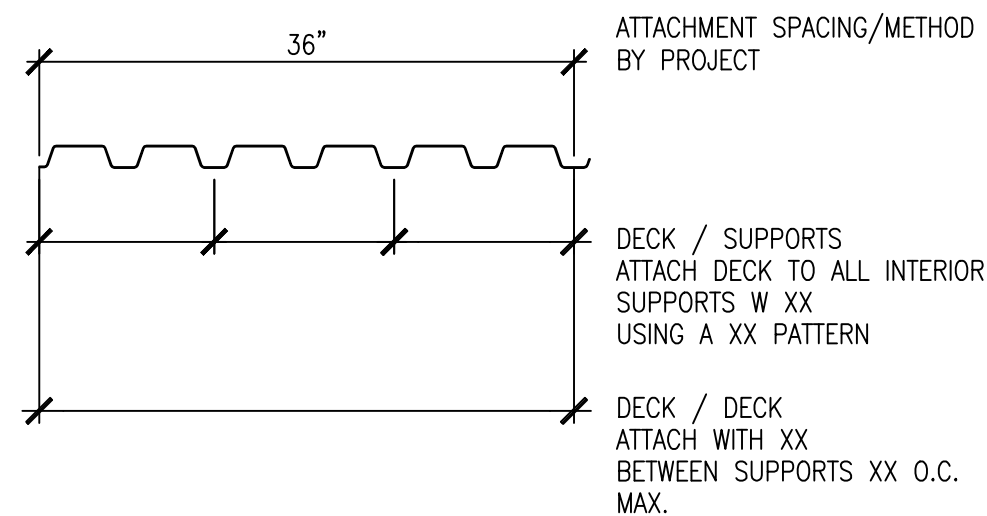
1 1/2" TYPE 'B' ROOF DECK TEMPLATE



ROOF DECK PLAN

SCALE: 1/8" = 1'-0"

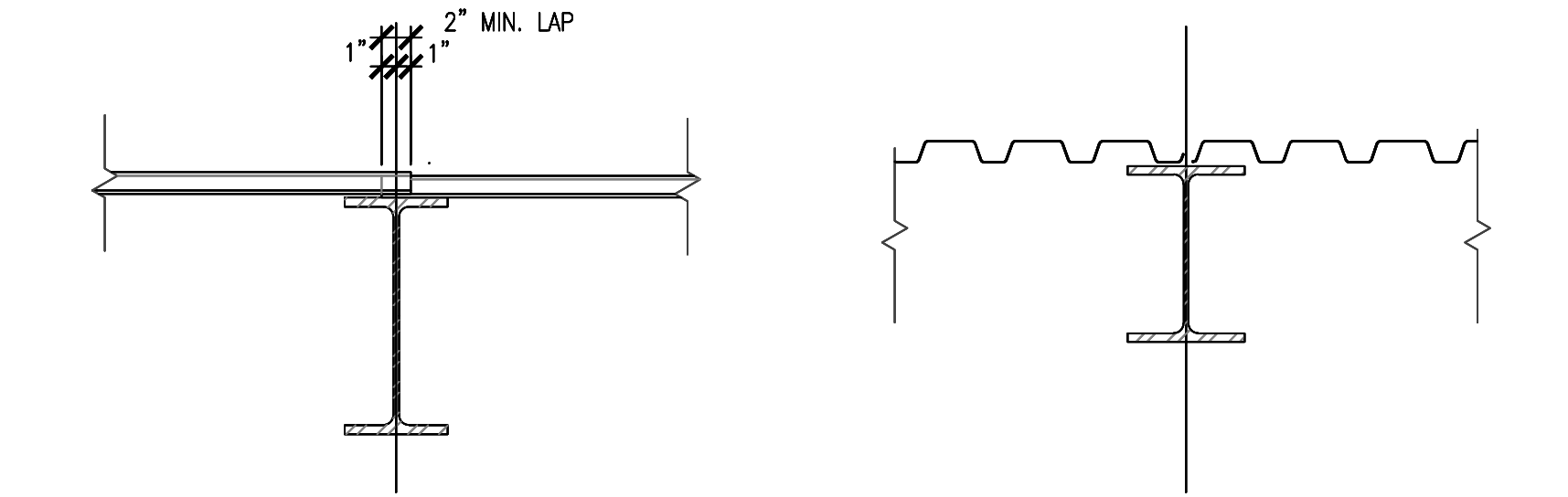
- 1.5B16G** MATERIAL: 1.5" 'TYPE B' 16 GAGE GALVANIZED G60 FLOOR DECK 36" COVER WIDTH
 - 1.5B18G** MATERIAL: 1.5" 'TYPE B' 18 GAGE GALVANIZED G60 FLOOR DECK 36" COVER WIDTH
 - 1.5B20G** MATERIAL: 1.5" 'TYPE B' 20 GAGE GALVANIZED G60 FLOOR DECK 36" COVER WIDTH
- TOP OF STEEL ELEVATION: XX'-X"



ATTACHMENT PATTERN 1 1/2" TYPE 'B' (36" C.W.)

ACCESSORIES:

- FLAT STOCK
- FS6 6" 60 L.F. 16GA.

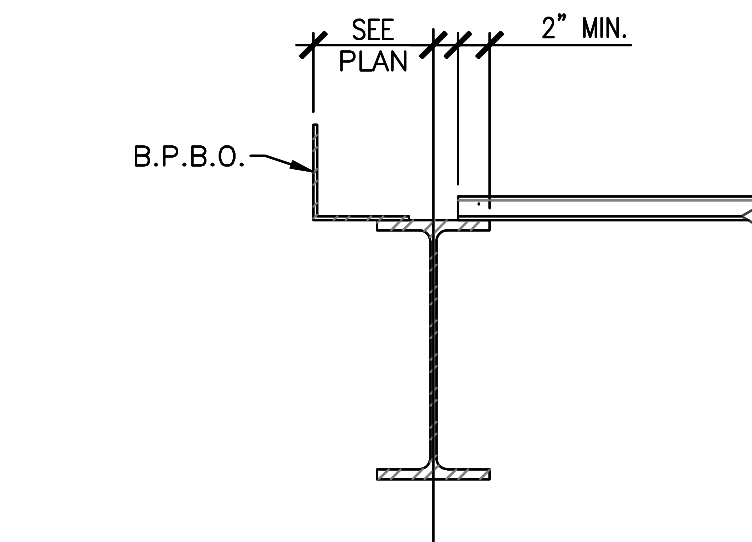


1 SECTION

SCALE: 1" = 1'-0"

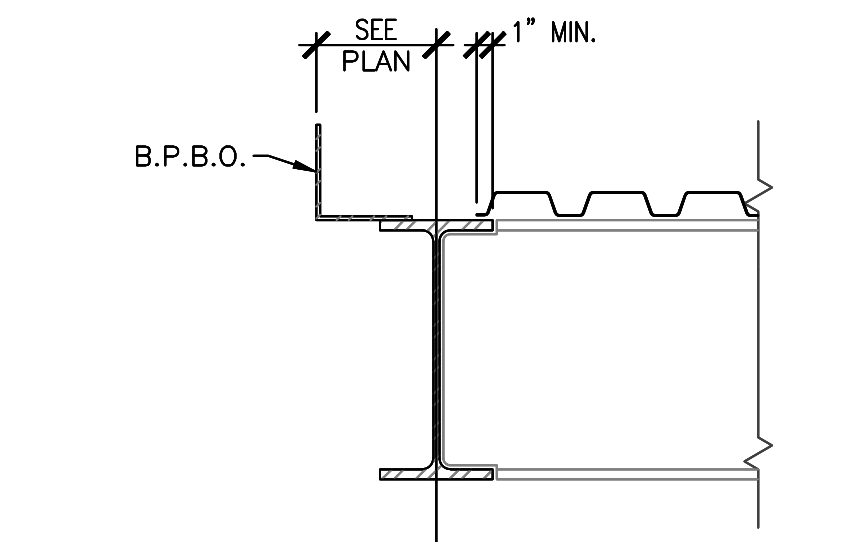
2 SECTION

SCALE: 1" = 1'-0"



3 SECTION

SCALE: 1" = 1'-0"



4 SECTION

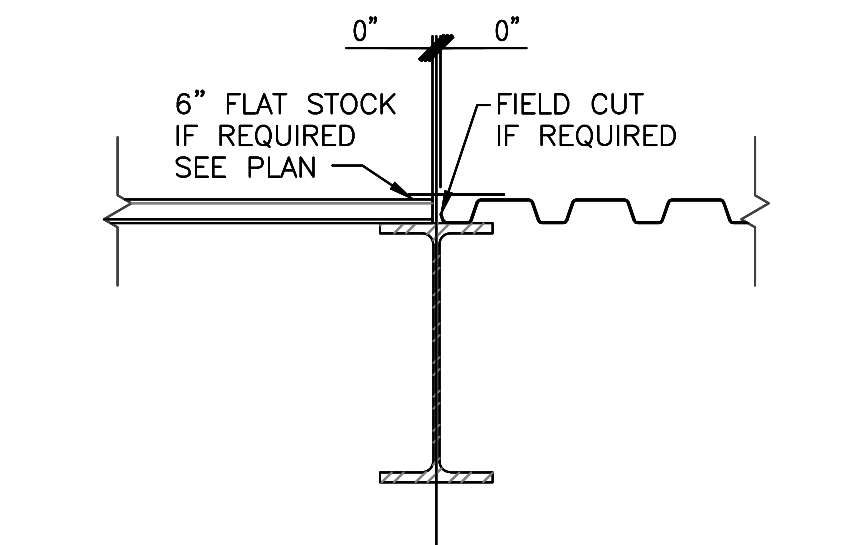
SCALE: 1" = 1'-0"

ABBREVIATIONS:

- B.P. BENT PLATE
- B.O. BY OTHERS
- B.S.C. BY STEEL CONTRACTOR
- E.O.D. EDGE OF DECK
- F.B.O. FORMED BY OTHERS
- F.C. FIELD CUT
- F.W.C. FILL WITH CUTOFF
- SIM. SIMILAR
- TYP. TYPICAL
- U.N.O. UNLESS NOTED OTHERWISE
- V.L. VERTICAL LEG
- P.S. POUR STOP
- MIN. MINIMUM

FOR APPROVAL ONLY THIS PRINT IS NOT FOR CONSTRUCTION PURPOSES

APPROVER:
PLEASE PROVIDE ALL CLOUDED VERIFICATIONS, DIMENSIONS AND SECTIONS INDICATED BY THE REQUEST "SUPPLY" AND/OR "VERIFY". PROMPT FABRICATION DEPENDS ON COMPLETE INFORMATION. PLEASE CALL FOR CLARIFICATION OF ANY UNCLEAR REQUESTS.



5 SECTION

SCALE: 1" = 1'-0"

CORDECK BUILDING SOLUTIONS
12620 WILMOT ROAD
KENOSHA, WI, 53142
(262)-857-3000

REVISIONS:	
DATE	DESCRIPTION

ROOF DECK PLAN
PROJECT NAME
PROJECT LOCATION

DRAWN	S#
CHECKED	
DATE	
JOB NO.	